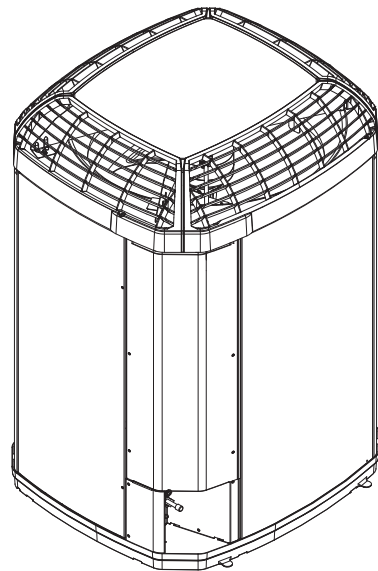


Installer's Guide

Plastic Top Aftermarket Kit

BAYTWGR0004
BAYTWGR0003
BAYAWGR0004
BAYAWGR0003



NOTE: "Graphics in this document are for representation only. Actual model may differ in appearance."

⚠ SAFETY WARNING

Only qualified personnel should install and service the equipment. The installation, starting up, and servicing of heating, ventilating, and air-conditioning equipment can be hazardous and requires specific knowledge and training. Improperly installed, adjusted or altered equipment by an unqualified person could result in death or serious injury. When working on the equipment, observe all precautions in the literature and on the tags, stickers, and labels that are attached to the equipment.

General Data

This accessory kit is intended for use on Trane or American Standard units that are purchased without a plastic top. The accessory assembles on top of the unit. No parts, e.g. sheet metal top or fan grille, should be removed from unit before installation of kit.

Kit Contents:

Items	Quantity
Plastic Top	1
Adapter Ring	1
Support Clip, Small	3
Support Clip, Large	1
# 12 Screw	4
Foam Gasket	1

Inspection:

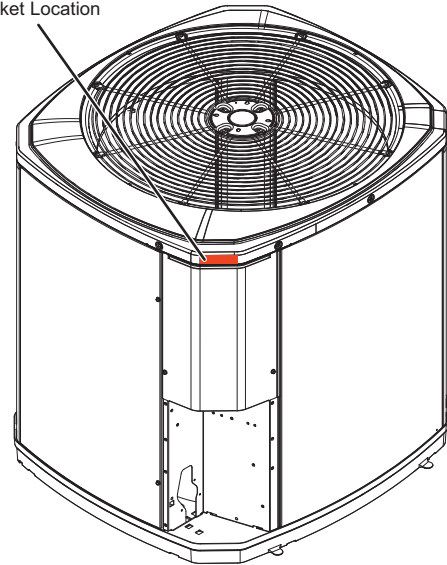
Check carefully for any shipping damage. This must be reported to and claims made against the transportation company immediately. Any missing parts should be reported to your supplier at once and replaced with authorized parts only.

Installation Instructions:

1. Install the foam gasket onto the corner surface area of the control box. See Figure 1.
 - a. Clean the control box corner surface area with soap and water. Make sure to remove all debris (dirt, grease, and oils).
 - b. Dry the area fully with a lint free cloth.
 - c. Clean the control box corner surface area with Isopropyl Alcohol. Wipe dry before the Isopropyl Alcohol evaporates.
 - d. Remove adhesive backing material from the foam gasket.
 - e. Put the foam gasket onto the corner surface area of the control box.

Figure 1. Foam Gasket Location

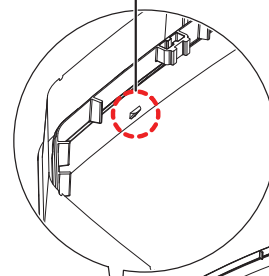
Foam Gasket Location



2. Install the adapter ring to the top of the unit. See Figure 2.
 - a. Align the control box corner of the adapter ring with the control box corner of the unit.
 - b. Rest the adapter ring on top of the unit. Make sure that the inner surface of the adapter ring at the control box corner is flush against the foam gasket.
Note: *This ensures the foam gasket is not damaged.*
 - c. Use a rubber mallet to tap the other three corners of the adapter ring down until the tabs inside the ring engage below the screws on the unit.
 - d. Carefully pull up on the adapter ring to make sure it does not easily come up in any location. If it does, tap on the adapter ring with the mallet until it is secure on the unit top.

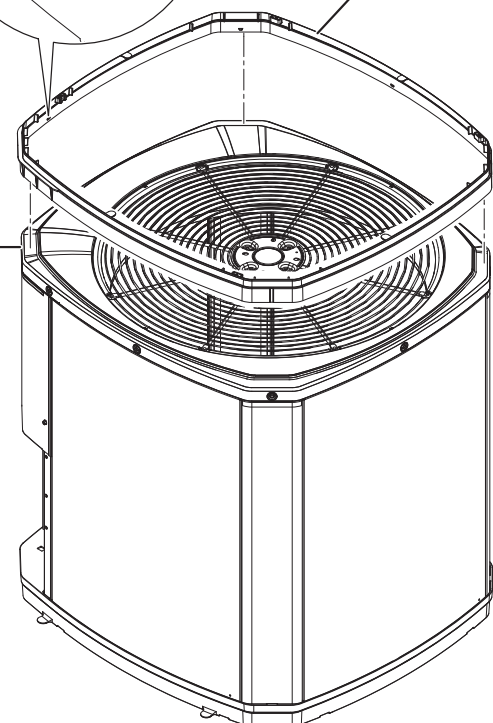
Figure 2. Adapter Ring Tabs

Tab



Adapter Ring

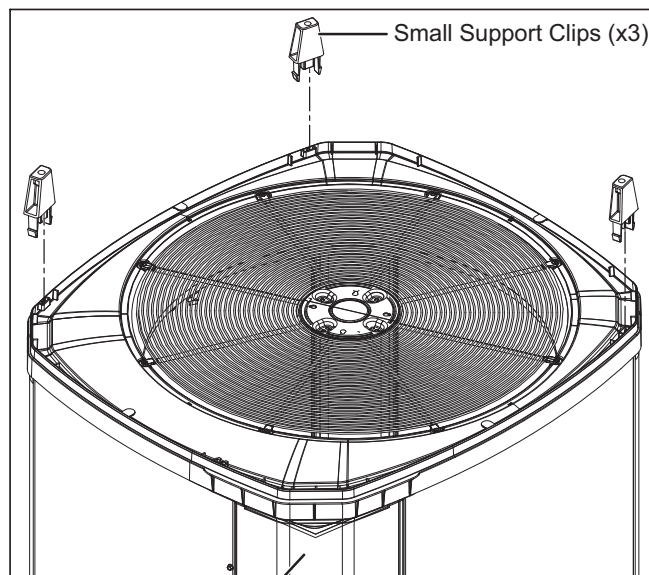
Control Box Corner



3. Install three small support clips to the adapter ring. Make sure to align the grooves in the support clips with the indentation in the adapter ring. See Figure 3 for the support clip locations and Figure 4 for the alignment feature.

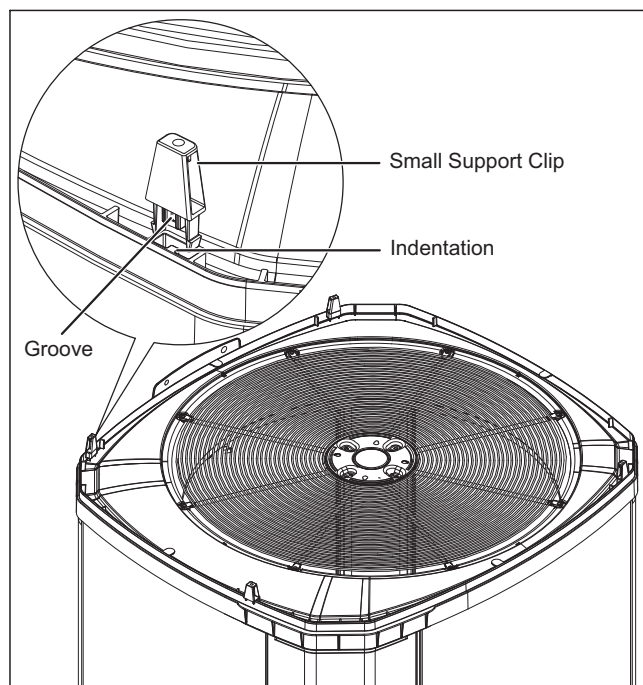
Note: The orientation of the small support clips is such that they can only be installed in one direction.

Figure 3. Small Support Clips Installation



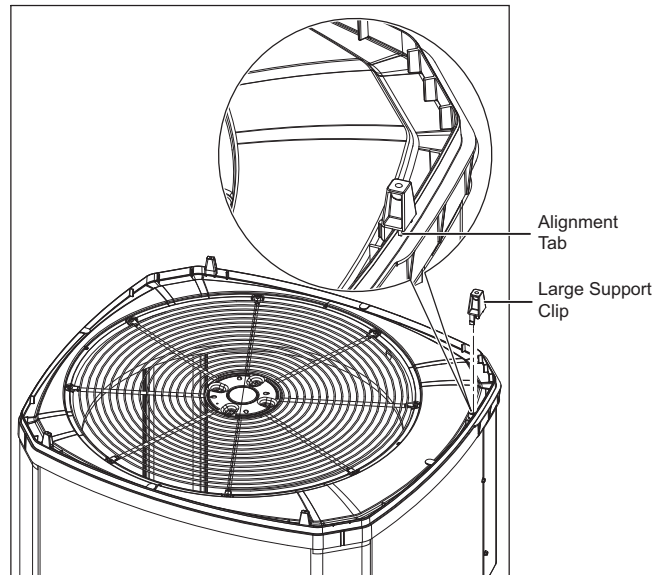
Control Box Corner

Figure 4. Small Support Clips Alignment



4. Install the large support clip to the adapter ring in the location shown. The large clip has two grooves, so rotate the clip so that the alignment tab indicated in Figure 5 faces the outside of the ring.

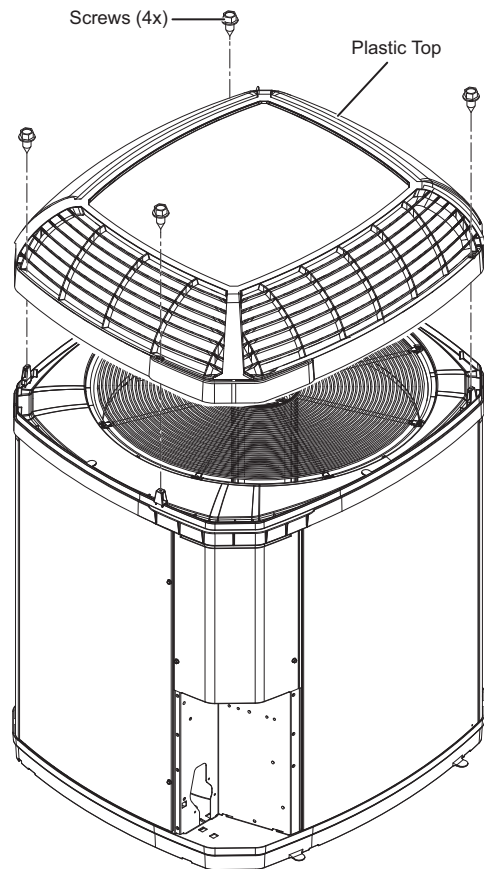
Figure 5. Large Support Clip Position



5. Install plastic top to the adapter ring. See Figure 6.
 - a. Orient the plastic top so that the corner with the "bump out" is on the control box corner of the unit as seen in Figure 6.
 - b. Align the screw hole locations in the plastic top with the support clips, and make sure the plastic top is fully seated on the adapter ring.
 - c. Attach the plastic top to the four support clips on the adapter ring with four # 12 screws. Hand tighten the screws.

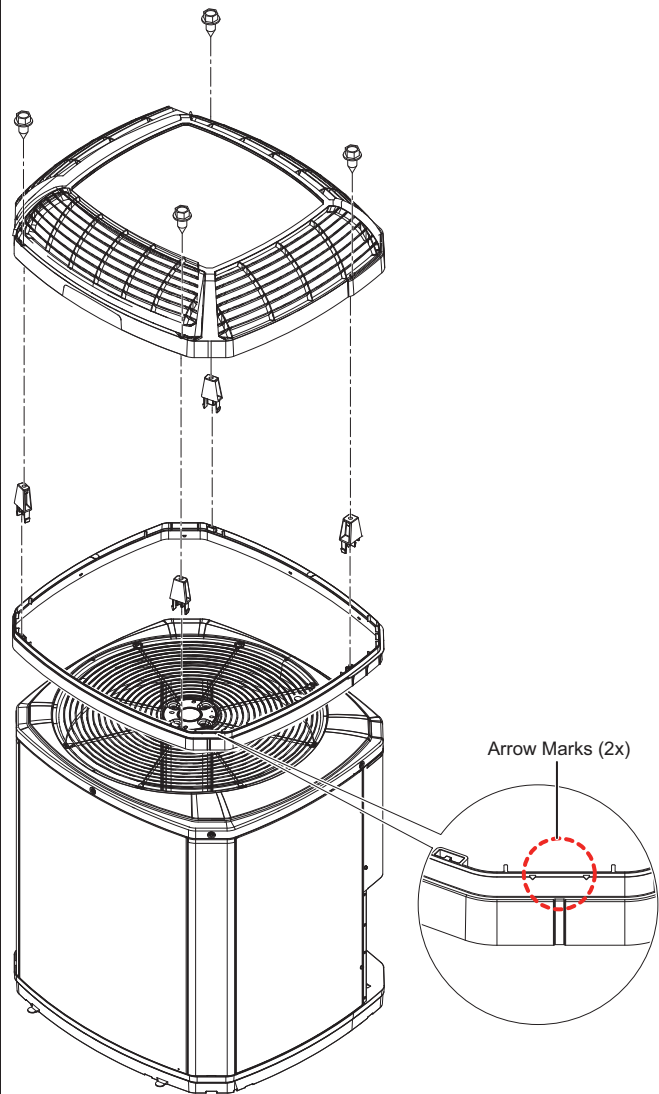
Note: Do NOT over-tighten the screws.

Figure 6. Plastic Top Installation



Removal Instructions:

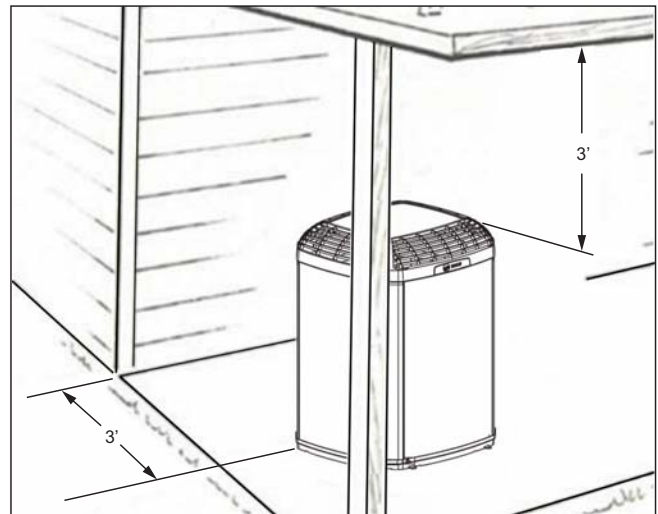
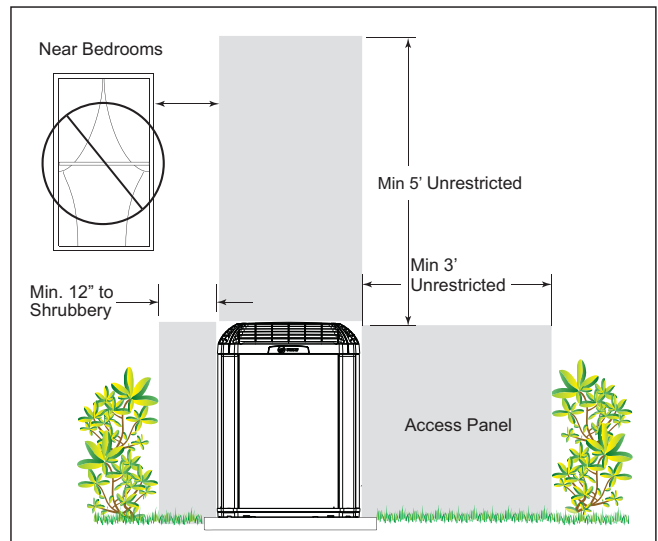
1. Remove four screws that attach the plastic top to the four support clips on the adapter ring, and then remove the plastic top.
2. Remove the four support clips.
3. Remove the adapter ring from the top of the unit.
 - a. Locate the two arrow marks on the adapter ring at the front left corner of the unit (to left of control box) which indicates the location for removal.
 - b. Pry that corner of the adapter ring from the top using a flat head screwdriver.
 - c. Once the adapter ring is free on that corner, pry the other three corners of the adapter ring until the adapter ring is free from the unit top.

Figure 7. Removal Instructions

Recommended Clearances:

The manufacturer's clearance to walls, fences, adjacent units and overheads is acceptable if the installation follows recommended clearances as seen in the equipment installer guide or equipment application guide and is within 1" to 2" of said recommendation.

Figure 8. Recommended Clearances for the Unit





Ingersoll Rand (NYSE: IR) advances the quality of life by creating comfortable, sustainable and efficient environments. Our people and our family of brands — including Club Car®, Ingersoll Rand®, Thermo King® and Trane® — work together to enhance the quality and comfort of air in homes and buildings; transport and protect food and perishables; and increase industrial productivity and efficiency. We are a global business committed to a world of sustainable progress and enduring results.



ingersollrand.com

Ingersoll Rand has a policy of continuous product and product data improvements and reserves the right to change design and specifications without notice.

We are committed to using environmentally conscious print practices.

18-HH32D1-1B-EN 12 Mar 2019

Supersedes 18-HH32D1-1A-EN (February 2019)

©2019 Ingersoll Rand